

MICROLUX LIGHTING

MICROLUX SPAIN

Dual Medium Intensity Aviation Light – Type A/B/C

White & White

White & Red

Model: MI-03

*Calle Diputacion 231
08007 Barcelona
Spain*

*Teléfono: (34) 632 234051
Fax: (34) 96 353 52 89*

*www.microluxlighting.com
info@microluxlighting.com*

Application Area:

The MI03 Dual Medium intensity obstruction light System combines a daytime white LED Light and nighttime LED flashing into a single beacon, eliminating the need for two separate lighting systems. The system automatically switches between day and night intensities through photocell. Dual Obstruction Lights are designed for tall structures such as telecommunication tower, ATC tower, chimneys, tall buildings and bridges.

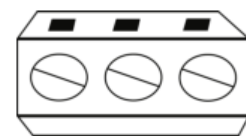
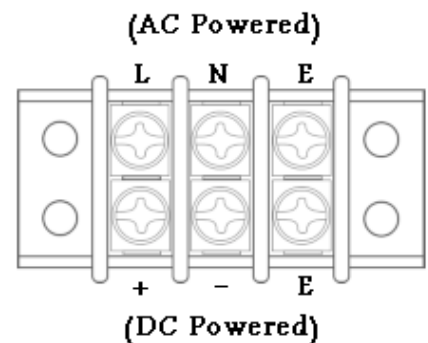


The most important feature of MI03 is that it works as a dual light. It has a dual array / layers of 168pcs Light Emitting Diodes (LEDs). During the day time, 76pcs LEDs of top array and 76pcs LEDs of bottom array works, using high powered white LED driver, giving 20,000cd flashing white light intensity and at night time the other 8pcs LEDs of top array and 8pcs LEDs of bottom array works, which gives a red light intensity of 2,000cd.

Features:

- Based on LED technology
- Extremely Reliable Major Maintenance Cost Saving
- Resistant to Shock and Vibrations
- Corrosion Resistant Lamp & Housing
- Self-contained wiring compartment eliminates additional boxes
- Base material: Aluminum alloy power coated
- Lens: Polycarbonate, Combustibility rating UL94V0
- Reflector: ABS
- IP protection: IP66
- Ambient temperature: -30°C - +55°C
- Typical LED lifetime: $\geq 100,000$ hrs
- All LEDs are connected in parallel, which are powered by low voltage, constant current; when and if one LED fails, it will not affect other LEDs
- Additional function: Built-in Photocell, GPS for flashing synchronization with other Microlux flashing Lights, RED Steady Burning (Type C) for night use

MICROLUX has used latest technology that allows LEDs to be driven directly from an AC supply.



NC NO COM
(optional - dry output)

MICROLUX LIGHTING

Specifications:

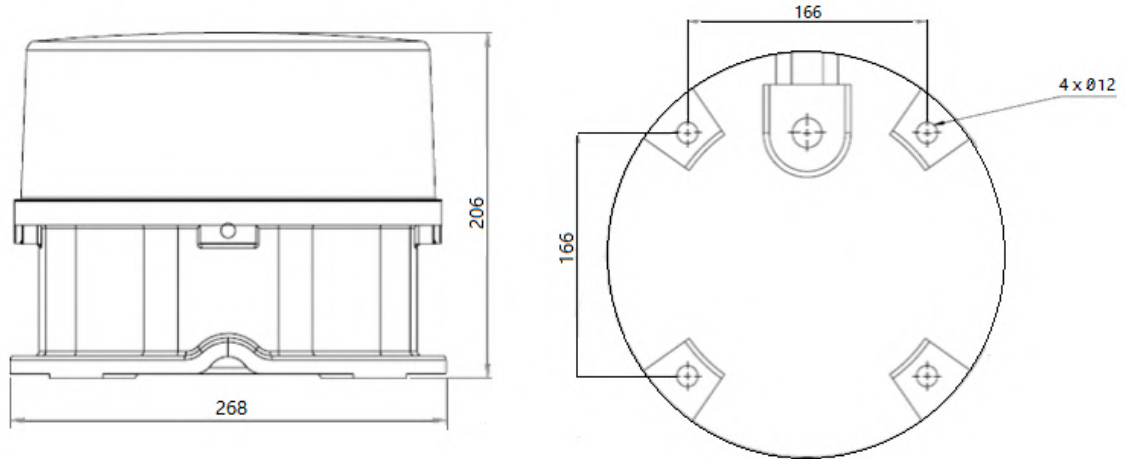
Compliance: ICAO FAA Type	ICAO Annex 14, Type A & B, C FAA L-864/865
Power Voltage / Frequency	AC96-264V / 50-60Hz (Optional: DC24 - 48V)
Lighting Type	Flashing
Flash Frequency	40 times/minute (daytime) 20-40 times/minute (nighttime)
Intensity	20,000cd ($\pm 25\%$) daytime (White, Type A) 2,000cd ($\pm 25\%$) nighttime (White, Type A) 2,000cd ($\pm 25\%$) nighttime (Red, Type B & C)
Power Consumption	$\leq 40W$ (day) $\leq 15W$ (night @ flashing mode) $\leq 20W$ (night @ steady mode)
Horizontal Coverage	360°
Beam Spread	White $\geq 10^{\circ}$ Red $\geq 3^{\circ}$
Lamp Usage Life	100,000 hrs
Light Color	Flashing White (ICAO Type A) Flashing White & Red (ICAO Type A & B) Flashing White & Steady Red (ICAO Type A & C)
IP Rating	IP66
Withstand exposure to	Wind-blown rain direction Wind speed 240mph
Dimensions (mm)	206 x 268 x 268 (H x W x L)
Weight	6kg

Ordering Code:

Series	Voltage	ICAO Type	Options
MI-03	1: AC120V (+10%)	A: White Flashing (Day&Night)	P: Built-in Photocell
	2: AC230V (+10%)	AB: White Flashing (Day) Red Flashing (Night)	A: Alarm Line Powered
	3: DC48V	AC: White Flashing (Day) Red Steady (Night)	GPS: Built-in GPS
	4: DC24V		MB: Mounting Bracket

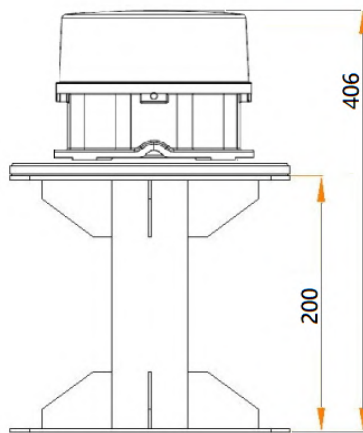
MICROLUX LIGHTING

Dimensions(mm):

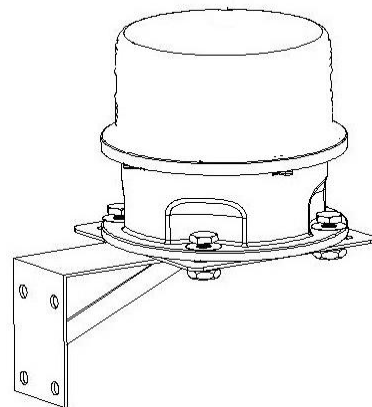


Mounting Details:

Surface



Side Elevation



Typical Wiring: (Optional) System Controller

